

Water Circulation Pump

WEV 6 Series for EV



▶ **3-phase Brushless Motor/ Centrifugal Pump / for Cooling and Heating system**

Features

✓ Soft Start ✓ Single Speed / Variable Speed ✓ Water Proof Level: IP 68

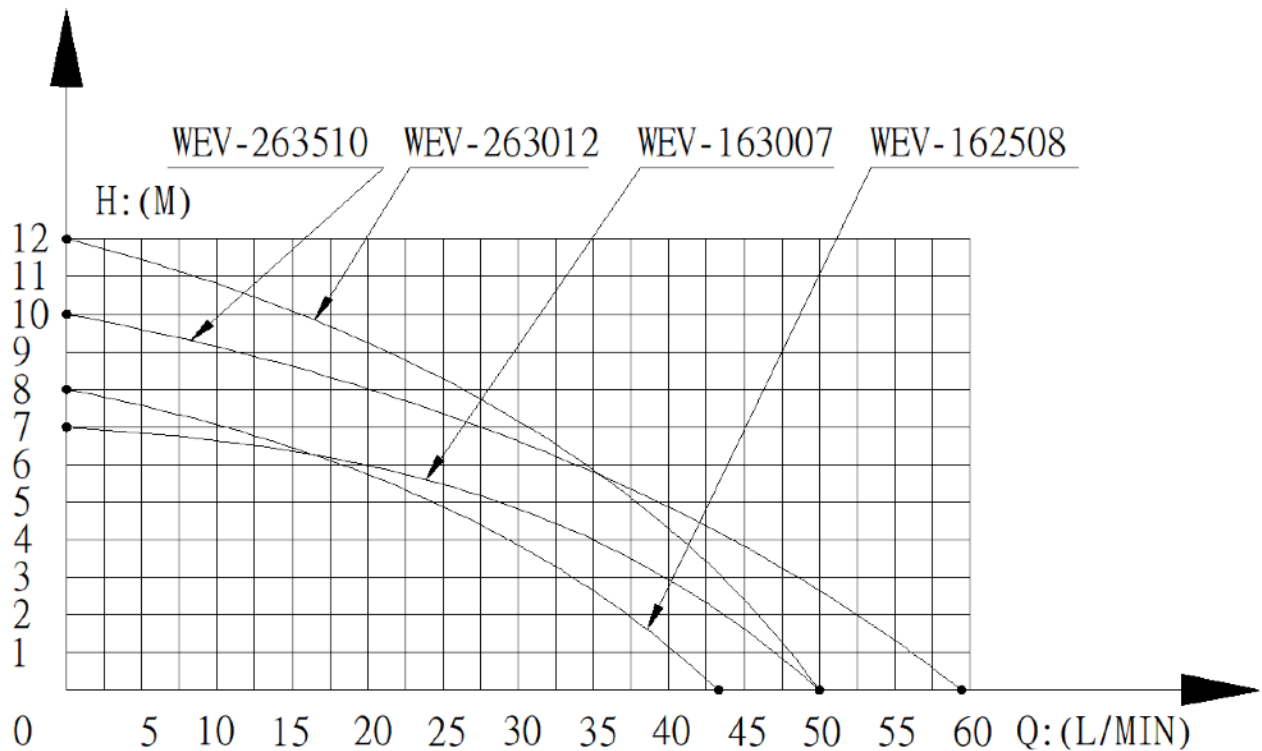
Model #	WEV-162508	WEV-263012	WEV-163007	WEV-263510
Voltage	12 V	24V	12 V	24 V
Voltage Range	5-14 V	5-26 V	5-14 V	5-26 V
Current	5.5 A	5.5 A	5.5 A	5.5 A
Max. Power	66 W	132 W	66 W	132 W
Flow Rate	2500 LPH	3000 LPH	3000 LPH	3500 LPH
Pressure	8 M	12 M	7 M	10 M
Inlet Diameter	22 mm	22 mm	27 mm	27 mm
Outlet Diameter	22 mm	22 mm	27 mm	27 mm
Water Temperature	-10 ~ 105 °C			
Ambient Temperature	- 10 ~ 85 °C			
Storage Temperature	- 10 ~ 85 °C			
Dimensions	154.0 x 114.3 x 122.0 mm		154.0 x 114.3 x 127.0 mm	
Pump Body Material	PPS GF30 + Aluminium			
Noise Level	< 40 dB			
Single / Variable Speed	Single Speed / Variable Speed (PWM)			
Controller	Built-in			
Weight	about 1.4 kg			

YT STABLE Tech. Corp.

#92, Ln. 646, Sec. 3, Jinma Rd., Changhua City, Changhua County 50097, Taiwan (R.O.C)

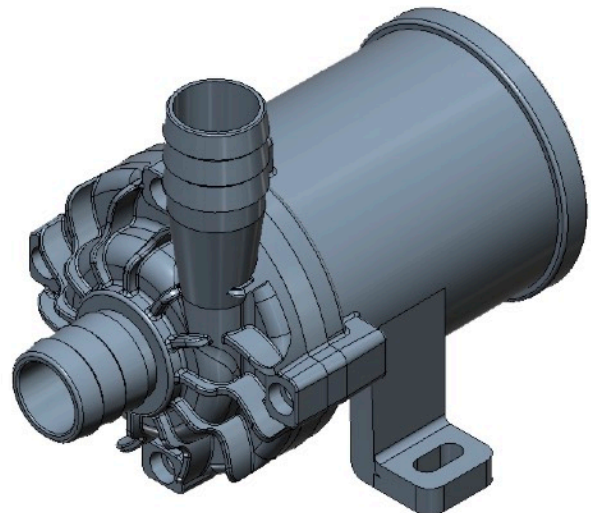
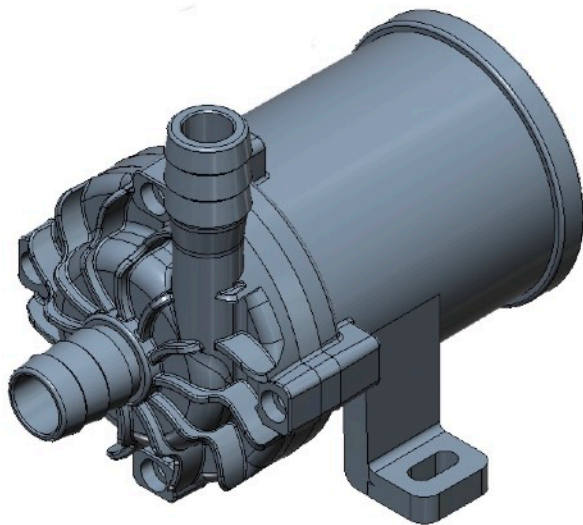
T: +886-4-7611589, +886-4-7629732 / F: +886-4-7629732 / E: sales@yutai.tw / W: www.yutai.tw

Water Circulation Pump WEV 6 Series for EV



WEV-162508 / WEV-263012

WEV-163007 / WEV-263510



YT STABLE Tech. Corp.

#92, Ln. 646, Sec. 3, Jinma Rd., Changhua City, Changhua County 50097, Taiwan (R.O.C)
T: +886-4-7611589, +886-4-7629732 / F: +886-4-7629732 / E: sales@yutai.tw / W: www.yutai.tw